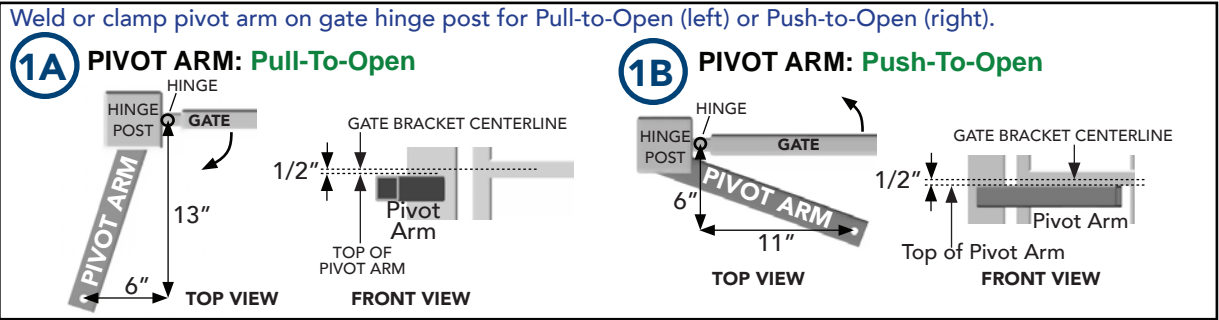


TITAN12L1 (1050) GATE OPENING SYSTEM

QUICK START INSTALLATION GUIDE

ACTUATOR AND CONTROL BOX INSTALLATION:

EXTREMELY IMPORTANT!
Read entire manual before attempting the installation. This is NOT a "do-it-yourself" project. Use a qualified contractor to install this system. Read all safety information!



CAUTION! Do NOT weld while control board is powered!

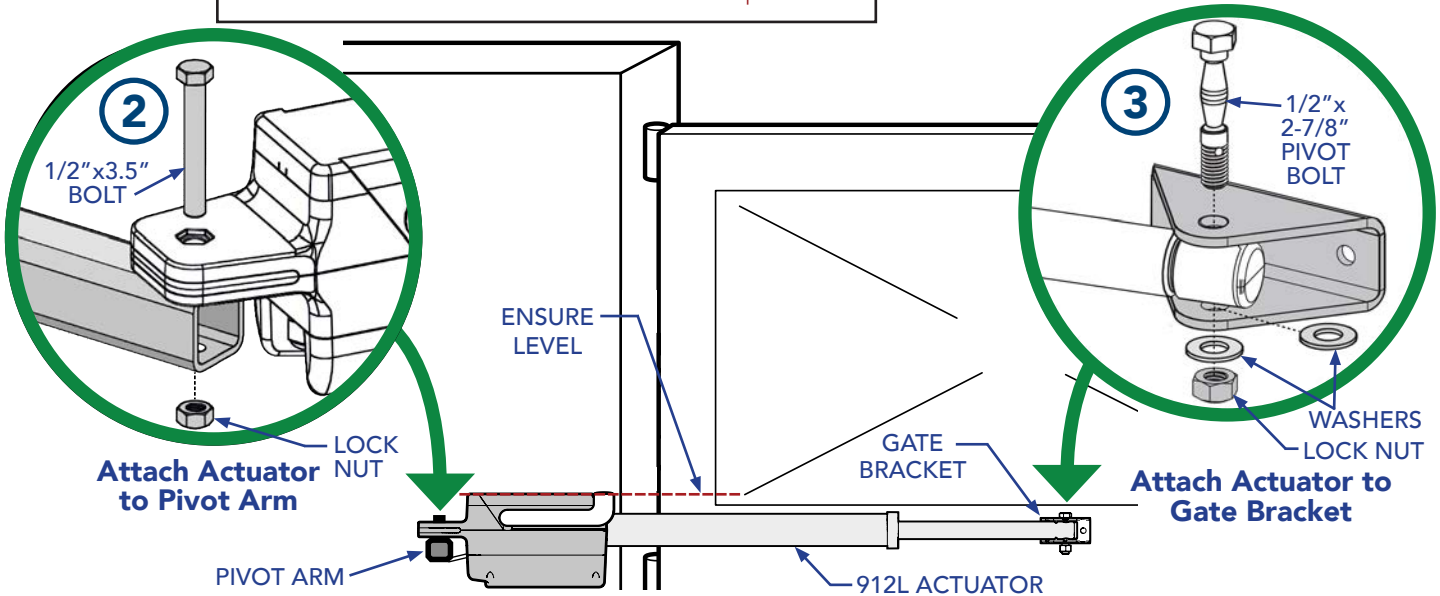
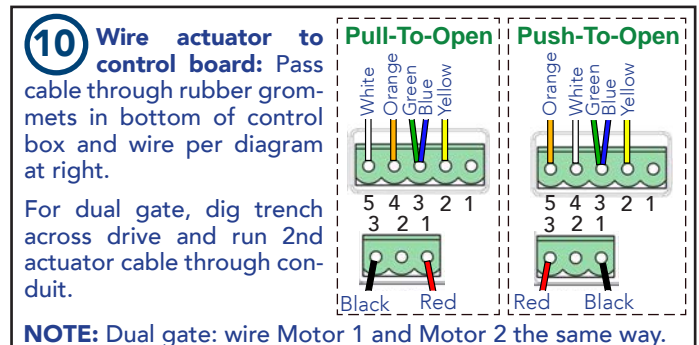
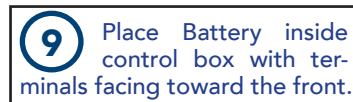
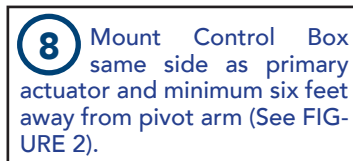
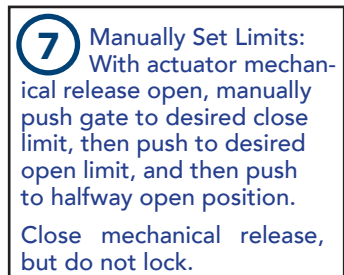
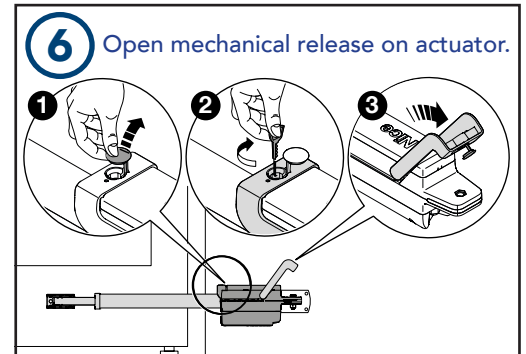
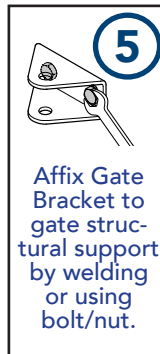
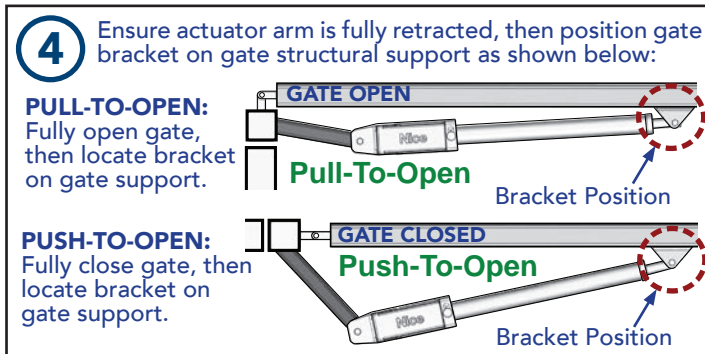


FIGURE 1: INSTALLATION OF ACTUATOR TO PIVOT ARM AND GATE BRACKET



CAUTION! Do not mount the control box where the person using the push button on box can come in contact with the gate!

TITAN12L1 (1050) GATE OPENING SYSTEM

QUICK START INSTALLATION GUIDE

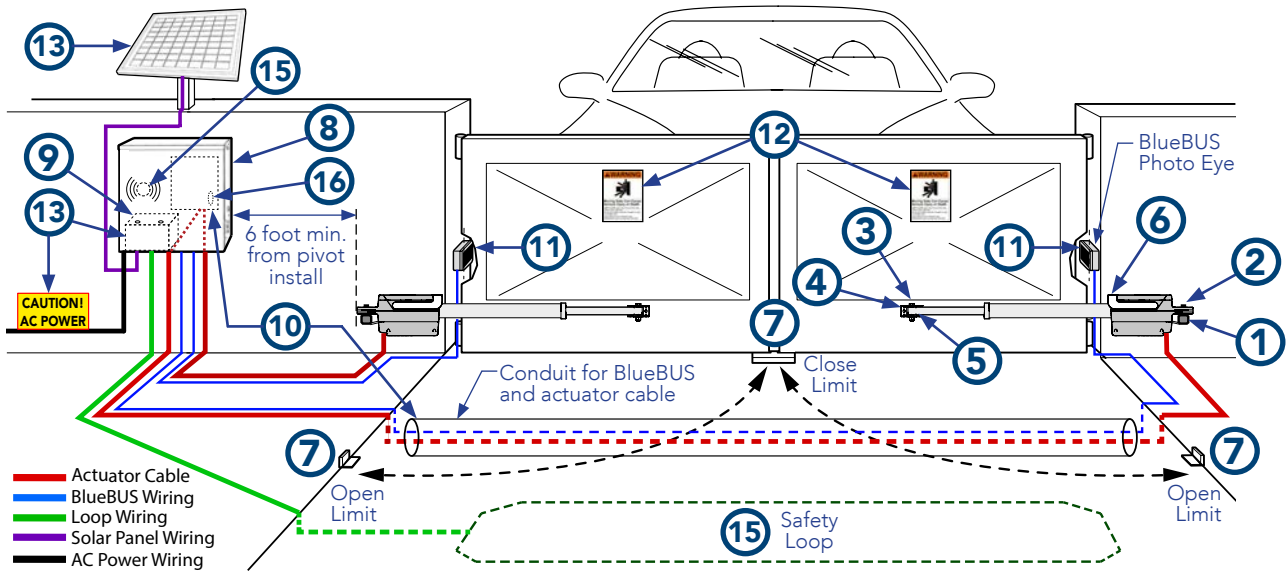


FIGURE 2: TYPICAL TITAN GATE SYSTEM (PULL-TO-OPEN, DUAL-GATE SHOWN)

- 11** Determine BlueBUS photo eye locations: Install, and connect to control board, 100 feet max. See 1050 diagram below.
- 12** Attach warning signs to gate.
- 13** To power 1050 board, connect battery, optional power supply, and/or solar panels to board. See 1050 diagram below. Run AC power to AC-DC power supply, but **do NOT connect AC power directly to control board!**
- 14** Perform limit learn procedure (below).
- 15** Connect audio alarm, then connect other accessories, such as safety loops, strobes, photo eyes, or other safety devices. See FIGURE 3 below.
- 16** Program receiver and transmitters: **a)** Press/hold OXI/A RX button until green LED lights solid, then release. **b)** Within 10 seconds, press/hold any key on Nice TX until green LED blinks 3 times. **c)** Wait 15 sec. then press TX buttons to verify operation.

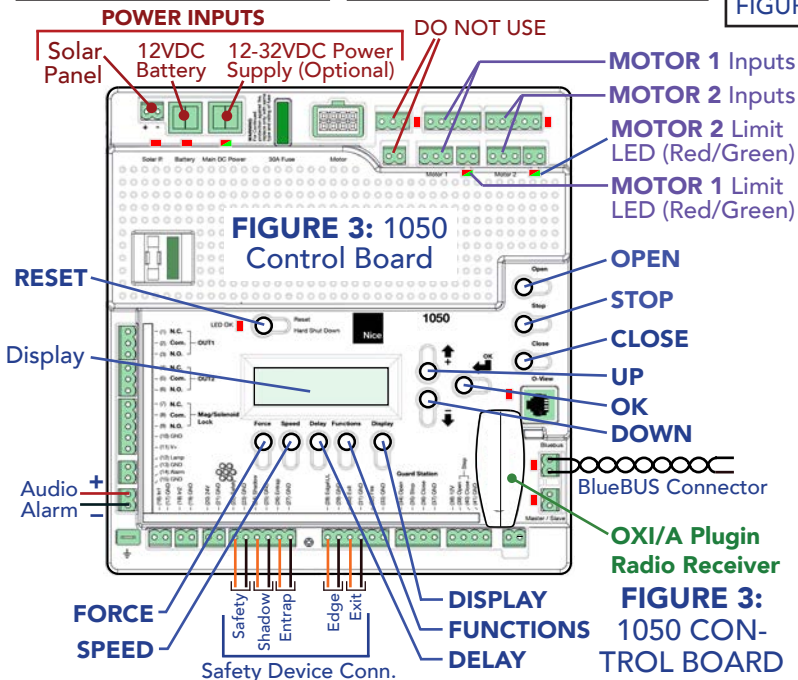


FIGURE 3: 1050 Control Board

GATE LIMIT LEARN PROCEDURE:

1. **Test Gate Conditions:** Remove pivot bolt(s) and move gate to open/close positions. Check for free travel without binding, then reconnect actuator(s) to gate.
2. **Connect power:** See INSTRUCTION 13, above.
3. **Enter Learn Mode:** See FIGURE 4. **NOTE:** With "ENTER" flashing, "OPEN" and "CLOSE" buttons must be held down to operate. Complete Step 4 for each actuator/gate individually (disconnect actuator NOT being adjusted). Reconnect both actuators prior to Step 5.
4. **Adjust Limit Location:** **a)** Hold down "OPEN" button until desired open position reached. If motion is opposite than desired, switch **RED** and **BLACK** wires at motor input. **b)** Adjust open limit until Limit LED glows **GREEN**. If illuminated **RED**, switch **ORANGE** & **WHITE** wires at terminal block. **c)** Hold down "CLOSE" button until desired close position. **d)** Adjust close limit until Motor Limit LED illuminates **RED**. **e)** Hold down "OPEN" until gate at middle of travel. If dual gate, connect both actuator cables to board.
5. **Commence Limit Learn:** In Learn Mode (with "ENTER" still flashing) press "OK" and the following events will occur: **a)** Partial open. **b)** Slow travel in close direction. **c)** Slow travel in open direction. **d)** Full speed in close direction.

Basic limit programming is complete. See the manual for additional programming.

